

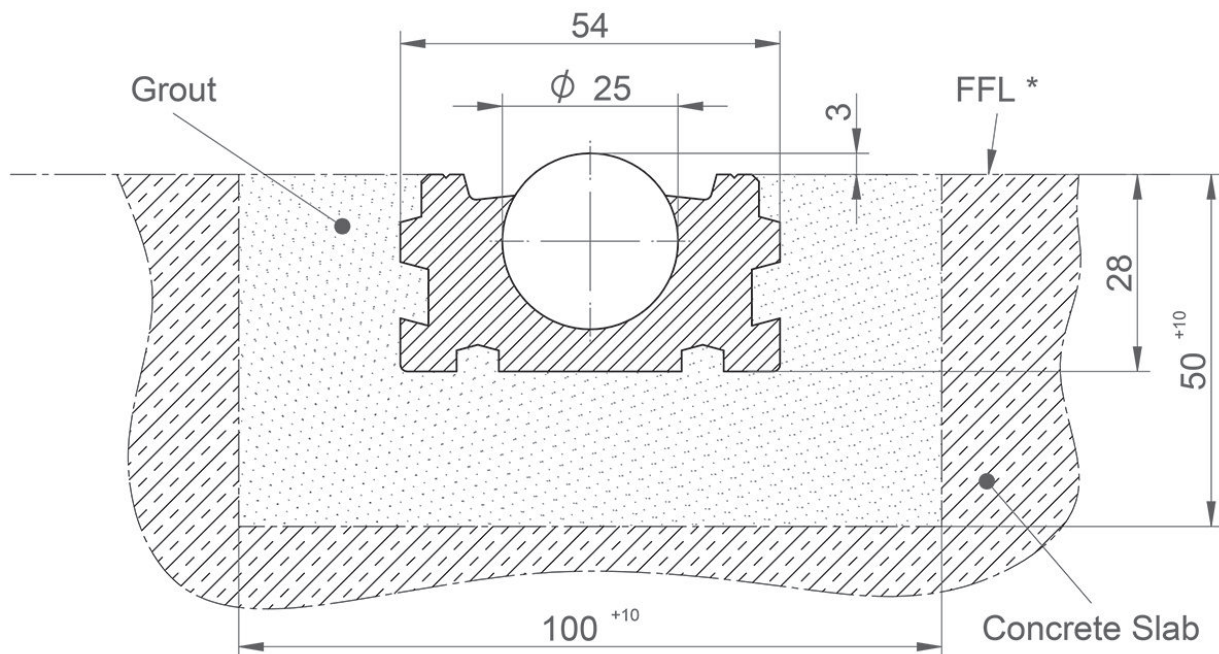
LOXrail® 25 floor rail

Art. No. 480200 Drawing No. 80000-0037

LOXrail® 25 floor rail



- Aluminum base profile
- Aluminum clamping profile
- Hardened and polished guide rail (optional stainless steel)
- Max. length of single profiles: 3000mm
- Length will be cut individually to your application



Technical data are subject to changes and errors. Only current article drawings are relevant.