

LOXrail® 40 fixing clamp

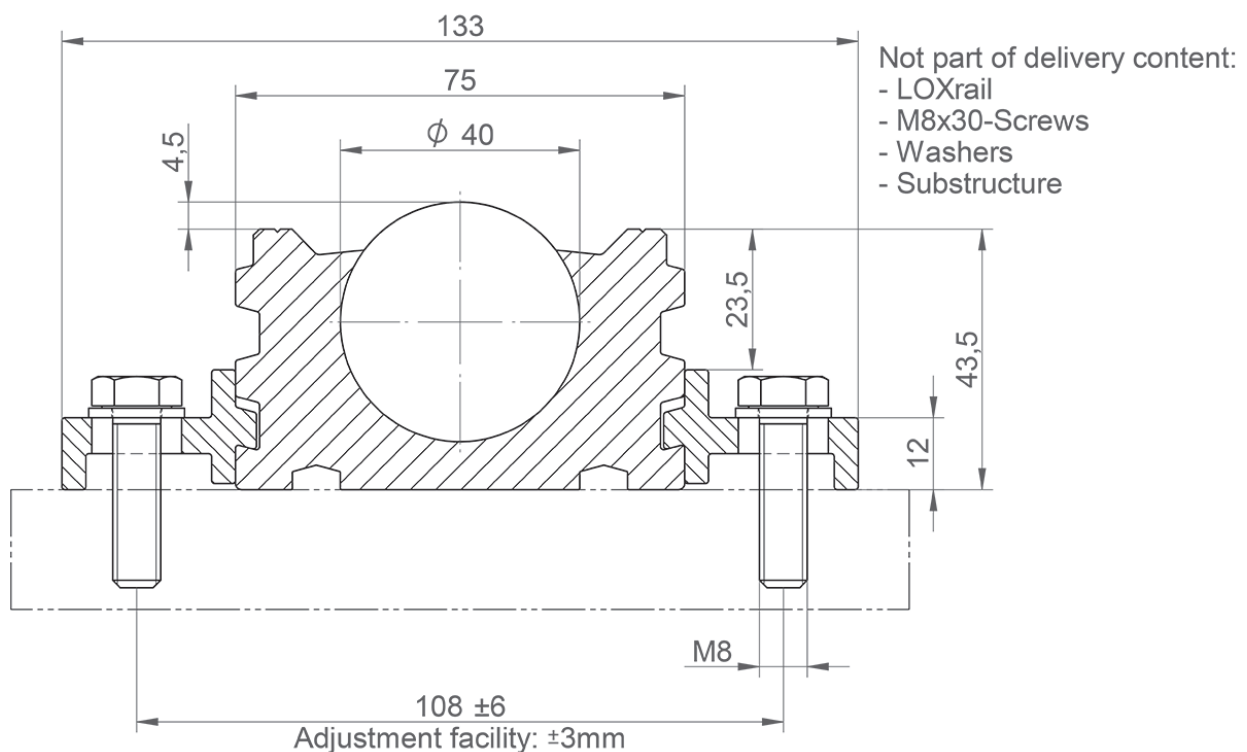
Art. No. 480202 Drawing No. 80000-0016

LOXrail® 40 fixing clamp



- Fixing clamp for LOXrail 25/40 for fixing the floor rail on steel beams or flat steel
- Adjustment option for precise setting of track center width
- Fixing clamps will be set every 300mm on both sides of the rail
- We also provide ready-to-use support profiles for a floor mounted installation including a suitable hole pattern

• **Deadweight:** 37,811 kg



Technical data are subject to changes and errors. Only current article drawings are relevant.