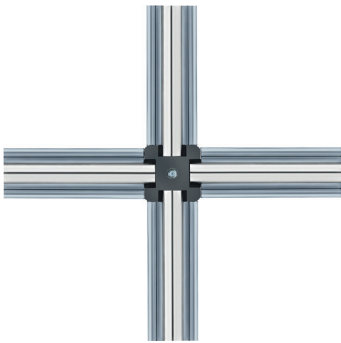


LOXrail® 25 crossing element

Art. No. 480210

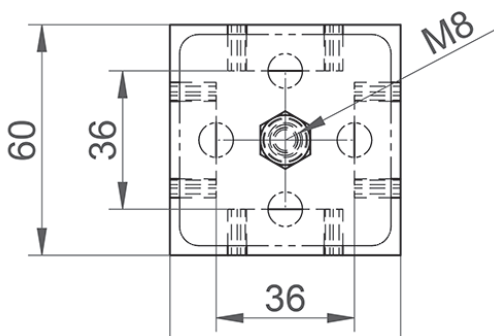
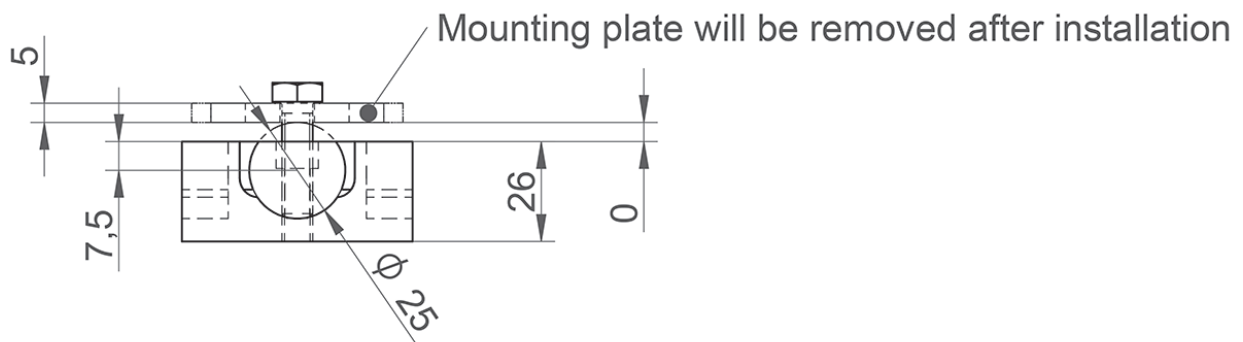
Drawing No. 16002-0116

LOXrail® 25 crossing element



- Hardened connection element for cross-over areas incl. cover clips
- Incl. mounting plate to clamp the rail during installation

• **Deadweight:** 0,660 kg



Technical data are subject to changes and errors. Only current article drawings are relevant.