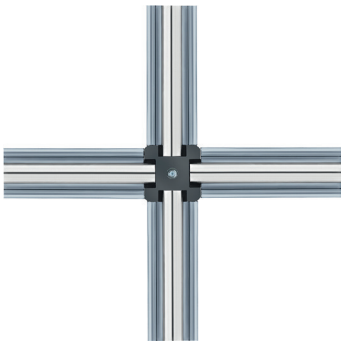
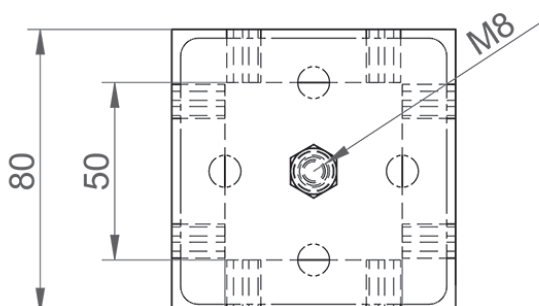
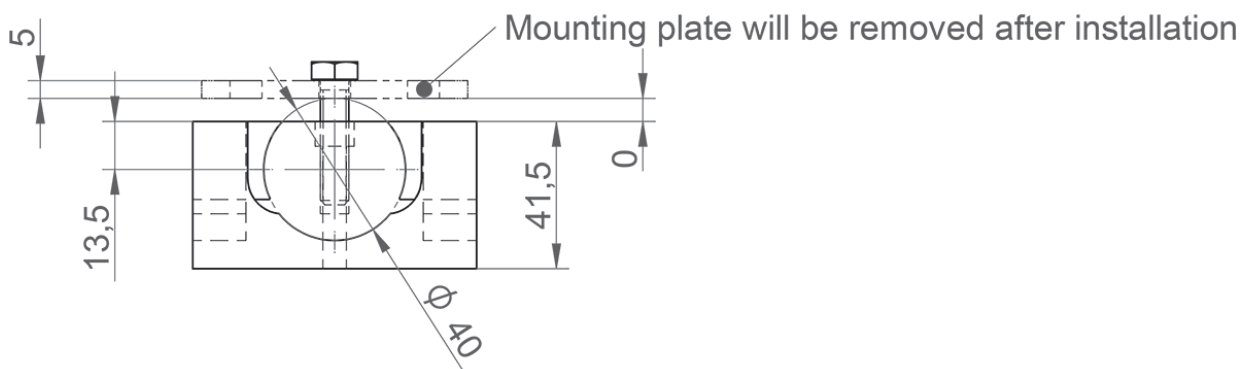


LOXrail® 40 crossing element

Art. No. 480211 Drawing No. 16002-0106

LOXrail® 40 crossing element

- Hardened connection element for cross over areas incl. cover clips
- Incl. mounting plate to clamp the rail during installation

• Deadweight: 1,653 kg

Technical data are subject to changes and errors. Only current article drawings are relevant.