

LOXrail® 40 installation jig 40-1

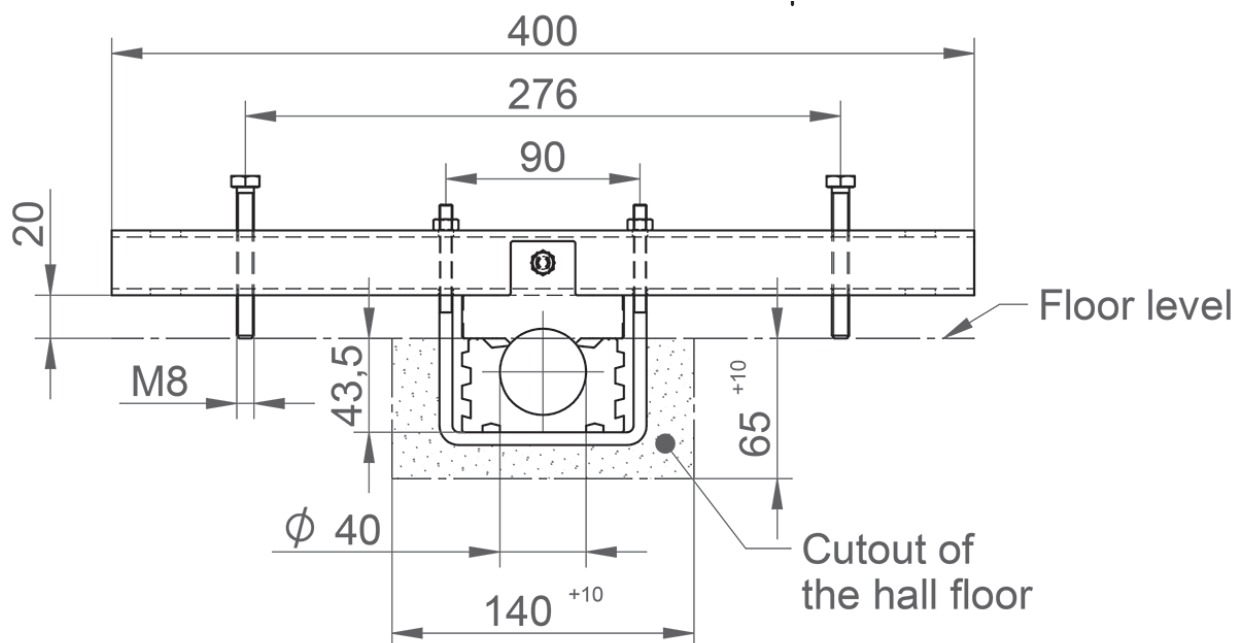
Art. No. 480295 Drawing No. 16002-0493

LOXrail® installation jig 40-1



- Installation jig for precise in floor installation of LOXrail® with single rail lanes
- Precise adjustment of rails in height before grouting
- The installation jig is set every 1.4m along the tracks

• **Deadweight:** 1,001 kg



Technical data are subject to changes and errors. Only current article drawings are relevant.