

LOXrail® 25 installation jig 25-2

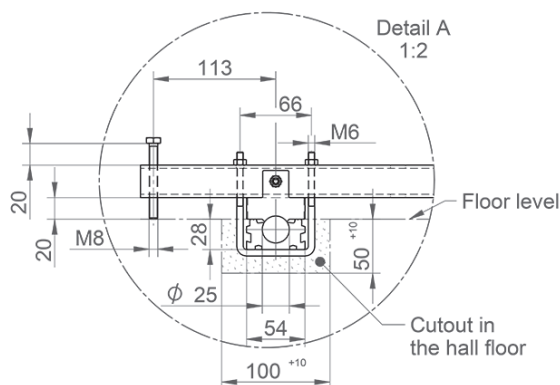
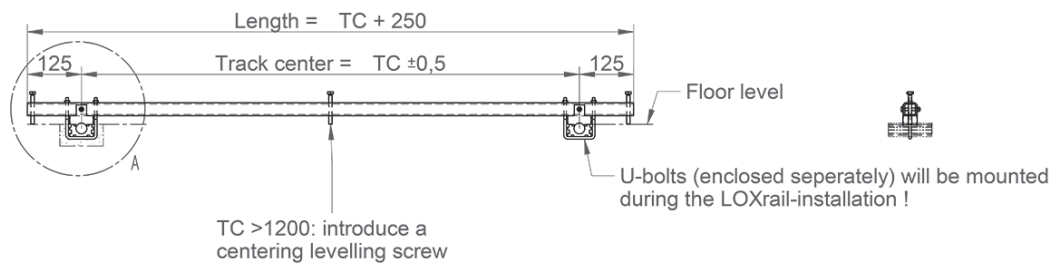
Art. No. 480298 Drawing No. 16002-0471

LOXrail® 25 installation jig 25-2



- Installation jig for precise in floor installation of LOXrail® with exact track center width
- Precise adjustment of rails in height before grouting
- The installation jig is set every 1.2m along the tracks
- Precisely manufactured according to the individual track center width

• **Deadweight:** 3,666 kg



Technical data are subject to changes and errors. Only current article drawings are relevant.