

LOXrail® Single idle wheel set 25-1

Art. No. 481200 Drawing No. 16002-0130

LOXrail® 25 single wheel set



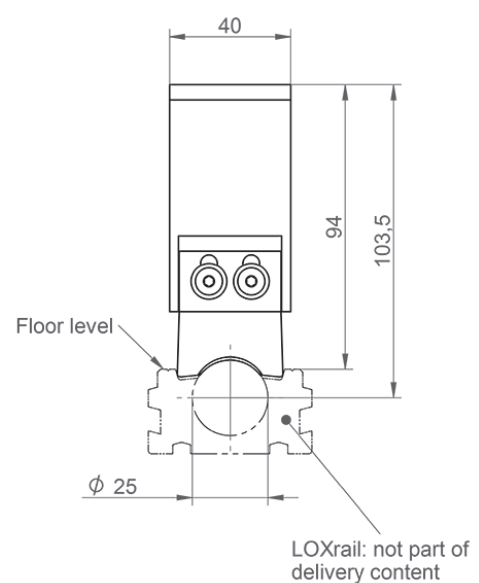
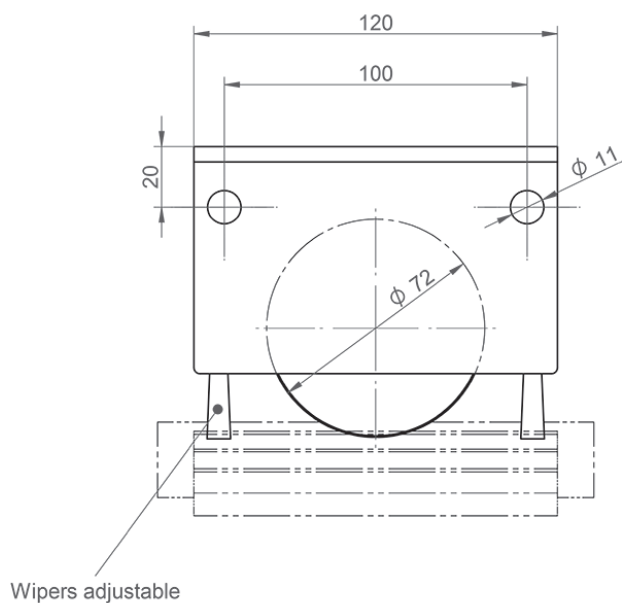
- Compact design for applications with lighter loads and without rail crossings
- Special profile rollers for LOXrail® 25
- Two pc. of brushes wipers to clean the rail
- Defined connecting interfaces enable a precise assembly
- Rubber plate for damping of impacts during the loading of the carrier

• **Deadweight:** 1,146 kg

• **Max. Payload:**

16,4 kN on LOXrail®

7 kN in case of load on wheel flange



Technical data are subject to changes and errors. Only current article drawings are relevant.