

LOXrail® double idle wheel set 25-2

Art. No. 481201 Drawing No. 16002-0136

LOXrail® 25 double wheel set



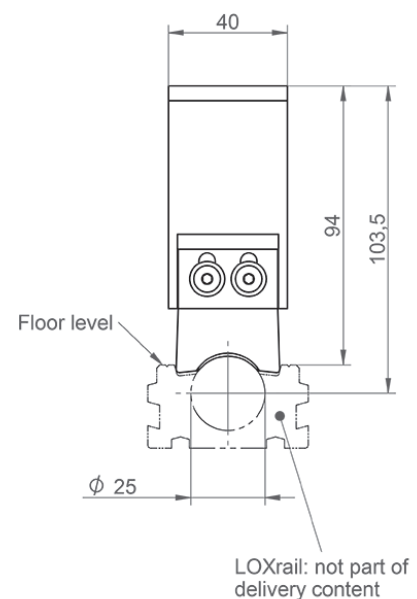
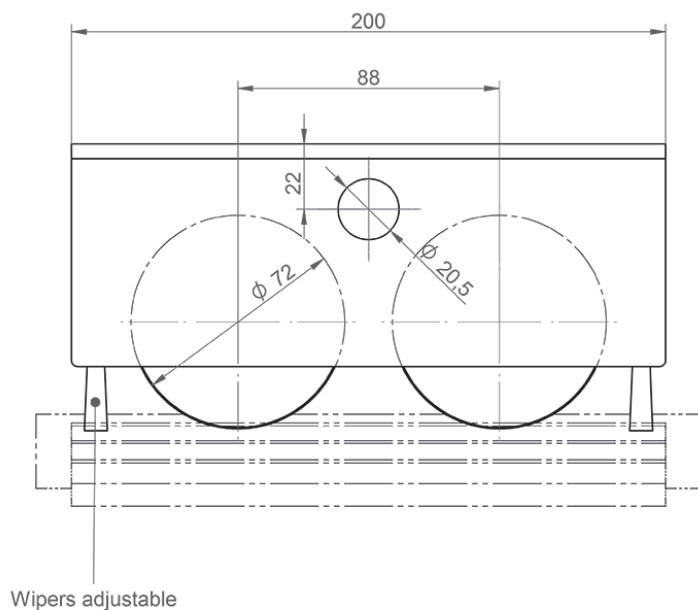
- Type with two rollers for medium and higher loads and for applications with rail crossings
- Special profile rollers for LOXrail® 25
- Two pc. of brushes wipers to clean the rail
- Defined connecting interfaces enable a precise assembly
- Rubber plate for damping of impacts during the loading of the carrier

• **Deadweight:** 1,987 kg

• **Max. Payload:**

32,8 kN on LOXrail®

14 kN in case of load on wheel flange



Technical data are subject to changes and errors. Only current article drawings are relevant.