

LOXrail® double idle wheel set 40-2

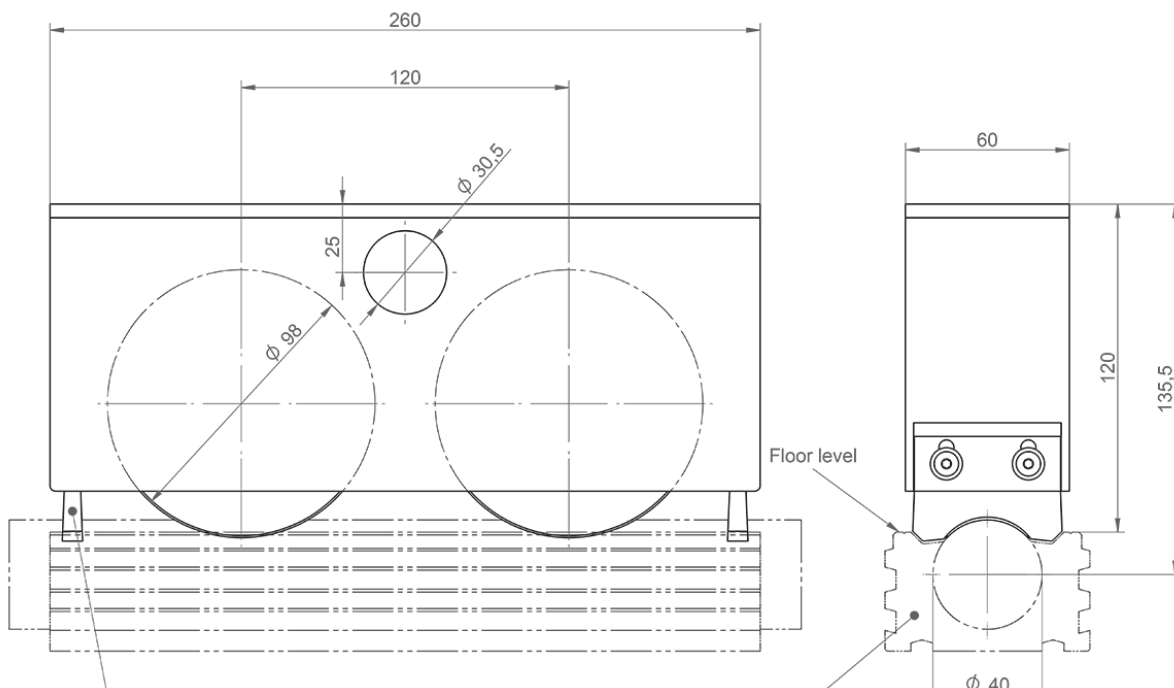
Art. No. 481203 Drawing No. 16002-0140

LOXrail® 40-2 double wheel set



- Type with two rollers for medium and higher loads and for applications with rail crossings
- Special profile rollers for LOXrail® 40
- Two pc. of brushes wipers to clean the rail
- Defined connecting interfaces enable a precise assembly
- Rubber plate for damping of impacts during the loading of the carrier

- **Deadweight:** 5,215 kg
- **Max. Payload:**
58 kN on LOXrail®
33 kN in case of load on wheel flange



Technical data are subject to changes and errors. Only current article drawings are relevant.