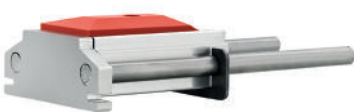


LOXrail® 25 end stop

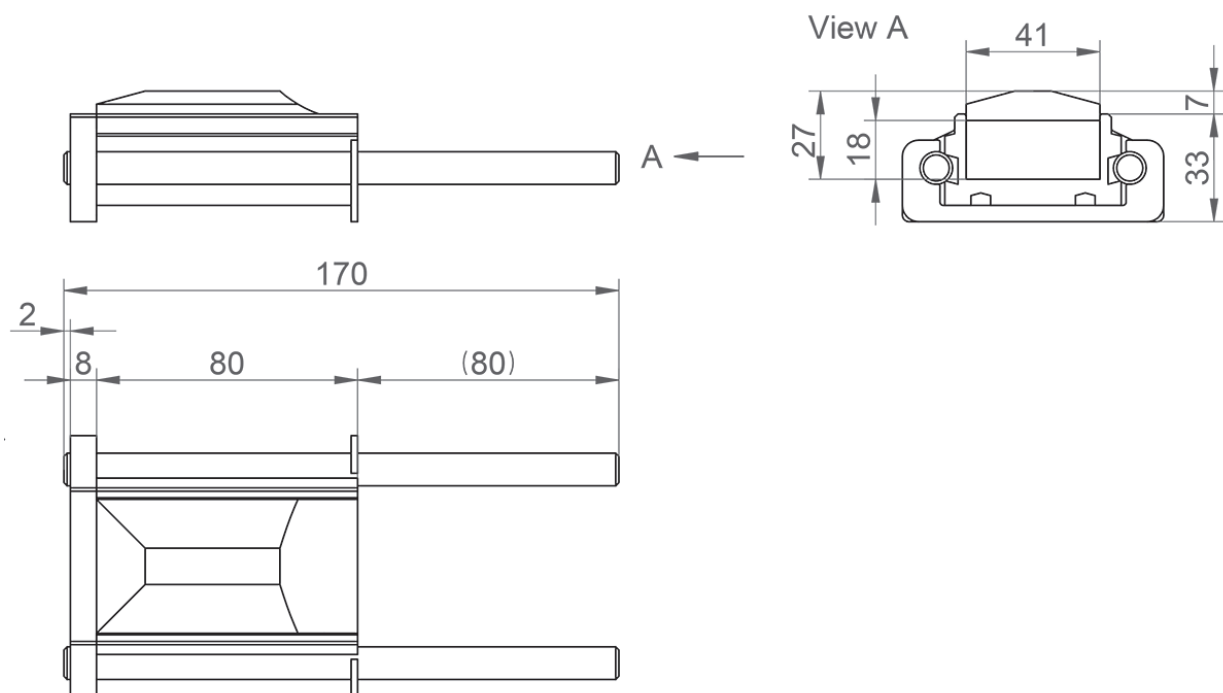
Art. No. 481204 Drawing No. 16002-0540

LOXrail® 25 end stop



- End piece for LOXrail® floor rail
- Hinders the carrier from inadvertent leaving of the track
- Designed for recessed floor installation

• **Deadweight:** 0,707 kg



Technical data are subject to changes and errors. Only current article drawings are relevant.