

## LOXrail® wheel set 25-1 MR

Artikelnr.: 481204 Drawing No.: 16002-0460

### Single wheel set for LOXrail® 25 with additional mounting frame



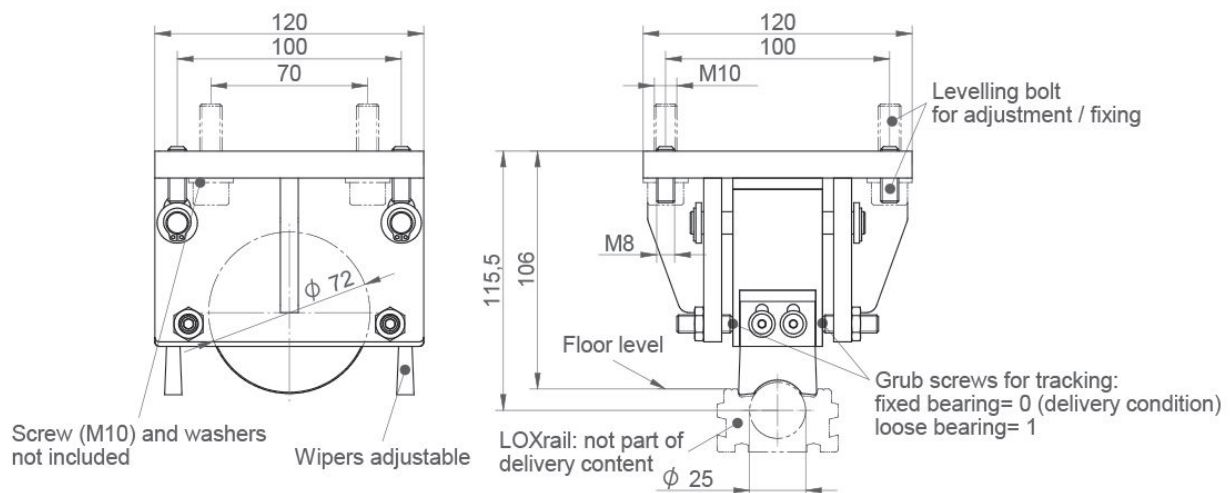
- Easy mounting to existing steel work structures
- Appropriate installation of wheel set to mounting frame
- Easy adjustment to fixed or loose bearing
- Special profile rollers for LOXrail® 25
- Two pc. of brushes wipers to clean the rail
- Defined connecting interfaces enable a precise assembly
- Rubber plate for damping of impacts during the loading of the carrier

• **Deadweight:** 3,77 kg

• **Max. Payload:**

16,4 kN on LOXrail®

7 kN in case of load on wheel flange



Technical data are subject to changes and errors. Only current article drawings are relevant.