

LOXrail® 40 end stop

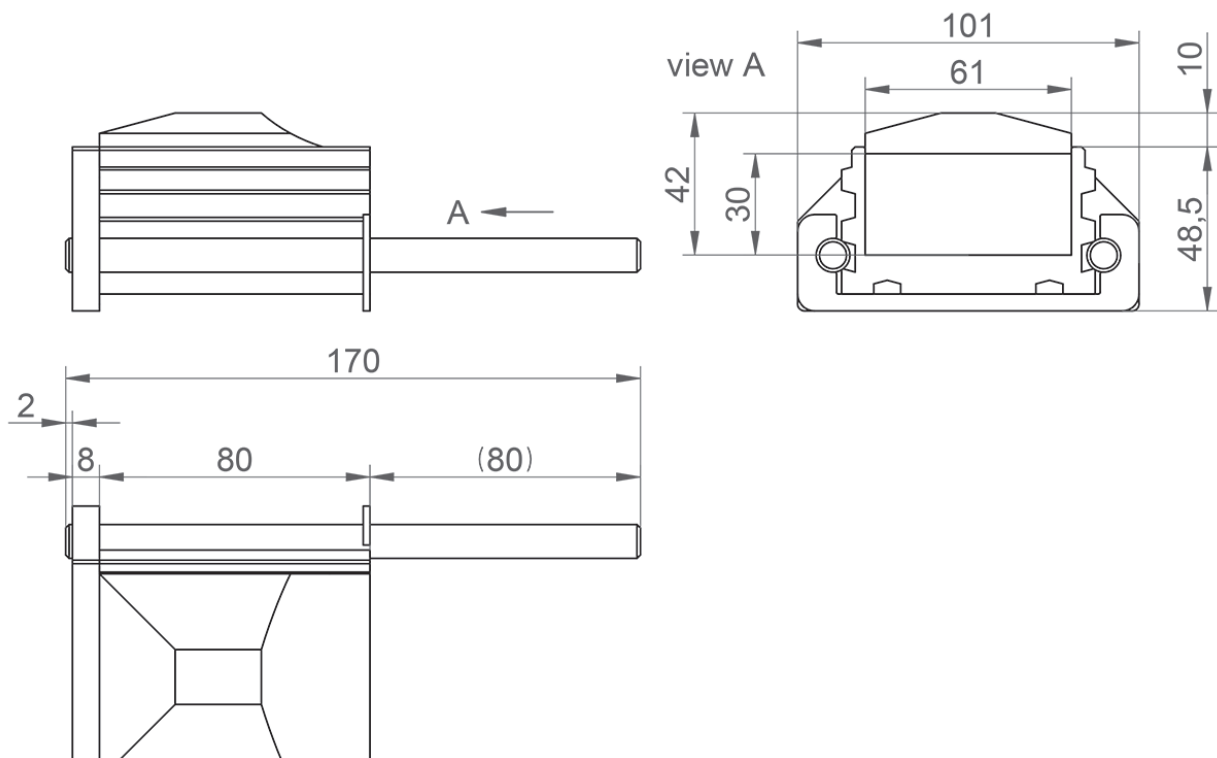
Art. No 481205

Drawing No. 16002-0550

LOXrail® 40 end stop

- End piece for LOXrail® floor rail
- Hinders the carrier from inadvertent leaving of the track
- Designed for a floor mounted installation

- **Deadweight:** 1,276 kg



Technical data are subject to changes and errors. Only current article drawings are relevant.