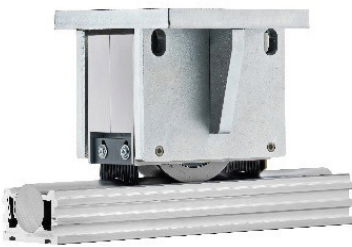


## LOXrail® idle wheel set 40-1 MR

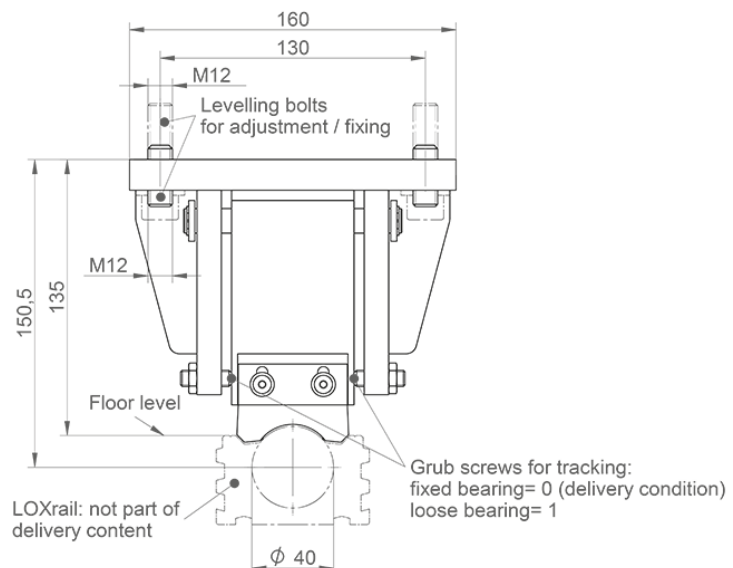
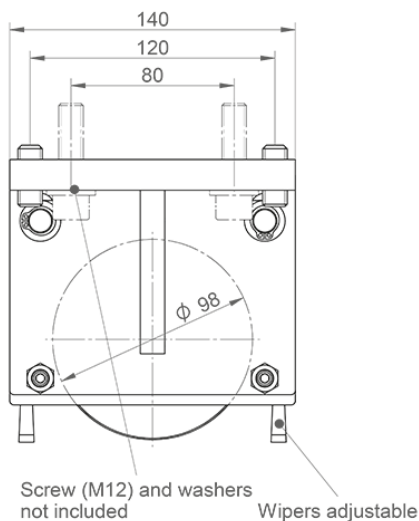
Art. No. 481206      Drawing No. 16002-0510

### Single wheel for LOXrail® 40 with additional mounting frame



- Easy mounting to existing steel work structures
- Appropriate installation of wheel set to mounting frame
- Easy adjustment to fixed or loose bearing
- Special profile rollers for LOXrail® 40
- Two pc. of brushes wipers to clean the rail
- Defined connecting interfaces enable a precise assembly
- Rubber plate for damping of impacts during the loading of the carrier

- **Deadweight:** 8,46 kg
- **Max. Payload:**  
29 kN on LOXrail®  
16,5 kN in case of load on wheel flange



Technical data are subject to changes and errors. Only current article drawings are relevant.