

loxrail® 25 end stop floor mounted

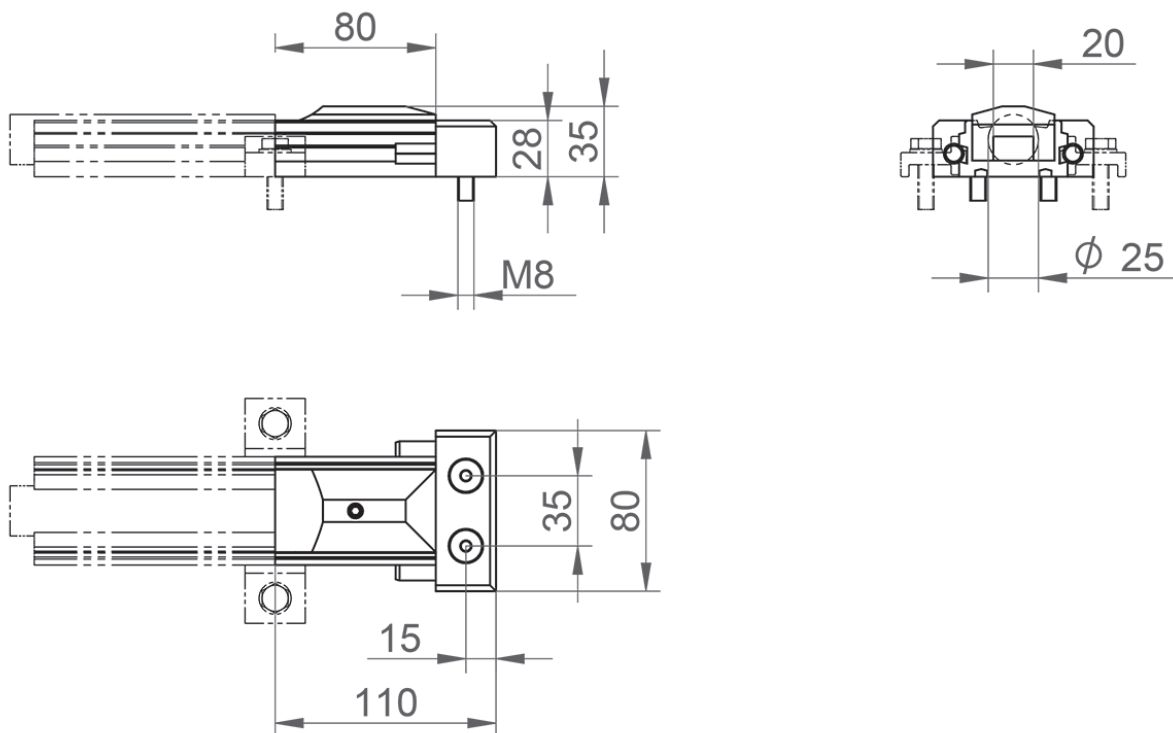
Art. No. 481218 Drawing No. 16002-0558

LOXrail® 25 end stop floor mounted



- End piece for LOXrail® floor rail
- Hinders the carrier from inadvertent leaving of the track
- Designed for floor mounted installation

• **Deadweight:** 0,862 kg



Technical data are subject to changes and errors. Only current article drawings are relevant.