

LOXrail® 40 end stop floor mounted

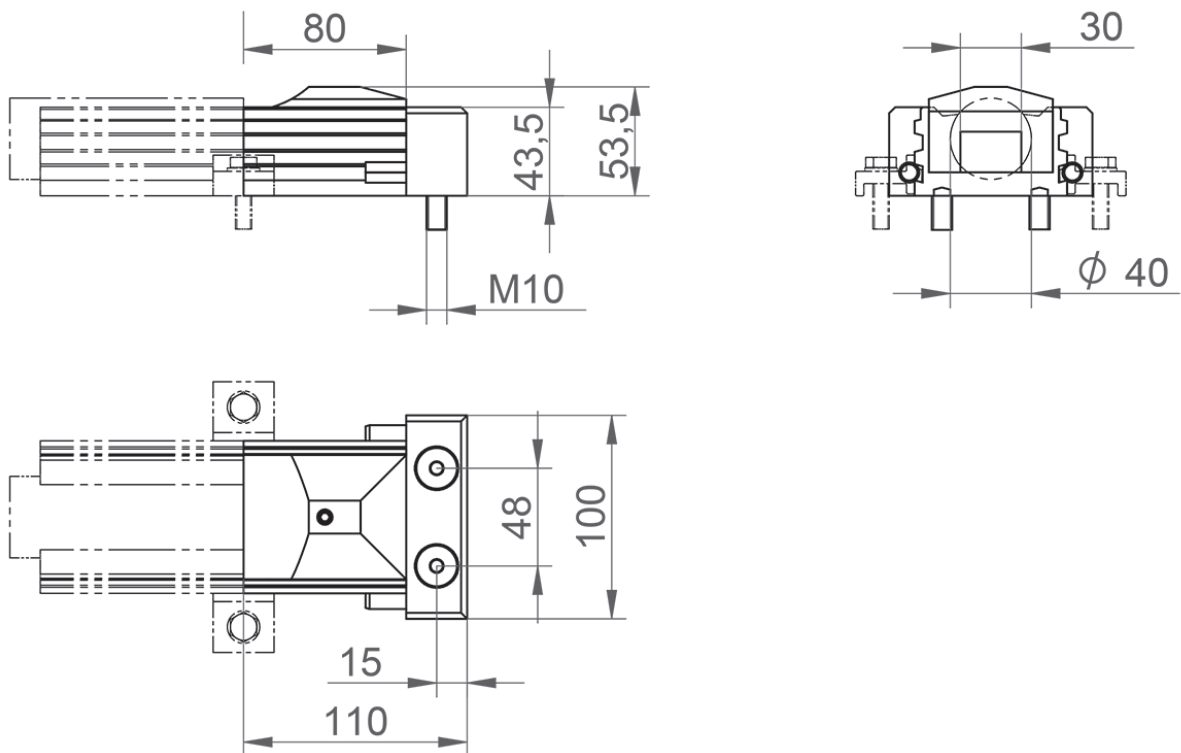
Art. No. 481219 Drawing No. 16002-0575

LOXrail® 40 end stop floor mounted



- End piece for LOXrail® floor rail
- Hinders the carrier from inadvertent leaving of the track
- Designed for a floor mounted installation

• **Deadweight:** 1,797 kg



Technical data are subject to changes and errors. Only current article drawings are relevant.