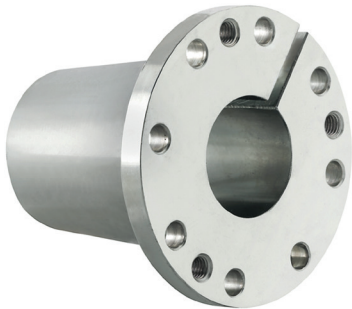
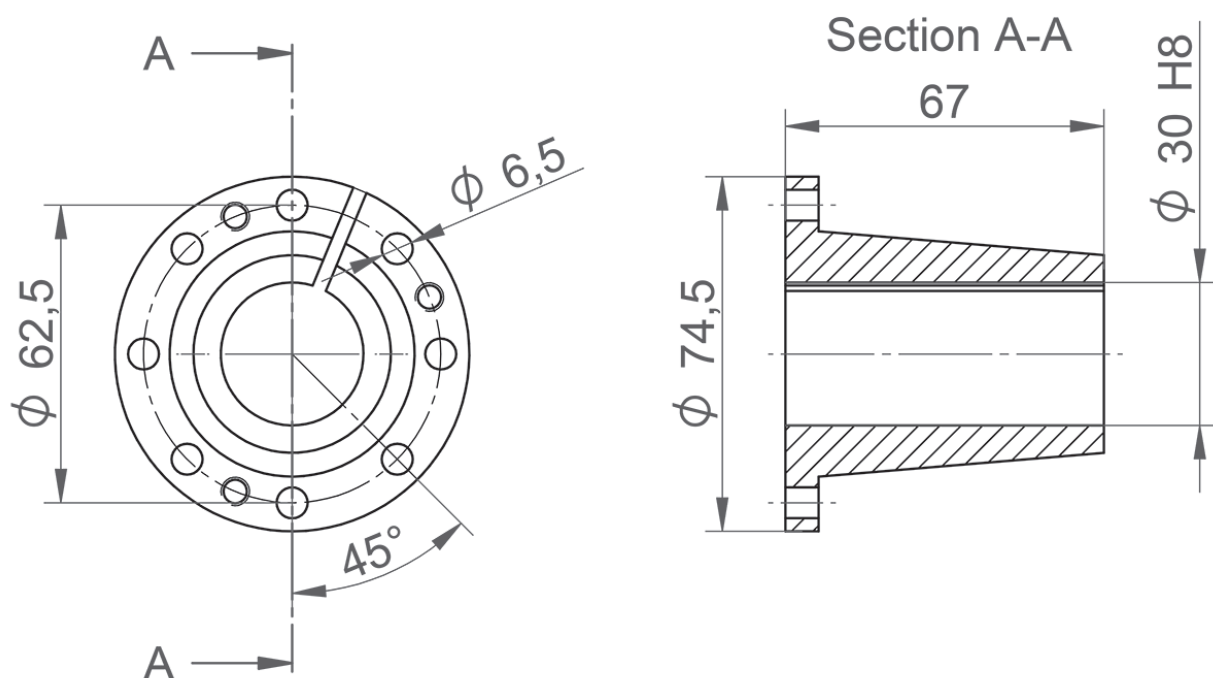


LOXrail® clamping bush d30

Art. No. 481302 Drawing No. 16002-0459

LOXrail® clamping bush for drive wheels

- For connection of drive shafts to wheels by clamping
- Designed for drive shafts diameter 30mm
- Including mounting material

• **Deadweight:** 0,715 kg

Technical data are subject to changes and errors. Only current article drawings are relevant.